

HIGH EFFICIENCY

DC POWERED VENTURI FANS



SNAP-FAN[®]

.COM



SOLAR DIRECT 4739 CFM 24" DC BRUSHLESS SOLAR FAN

- Three discrete speed taps for user selected performance.
- High efficiency industrial grade Brushless Servo Motor. 0-50 VDC.
- Motor made in USA. Water resistant O-ring seals IP54.
- Specifically designed to operate solar direct on a 36, 60 or 72 cell solar panel.
- Soft start, thermal roll back and locked rotor protection are standard features.
- Will operate on a 24 VDC battery bank.
- Patented low vibration aerodynamic motor mounting system reduces noise and improves efficiency.
- Enable/disable wire to start/stop using low amperage thermostat/switch.
- With hybrid DC converter, this fan can operate on any world voltage allowing for solar input and field adjustable fan speed
- RPM limiting to 1800 RPM regardless of solar voltage.
- Includes liquid tight conduit 5ft lead wires.
- Glass reinforced polypropylene airfoil blade offers high efficiency and durability.
- All parts serviceable and/or replaceable.
- Warranty of 2 years against parts and labor.



SNAP-FAN 12" / 16" / 20" / 24" / 28"

EVOLUTION IN VENTILATION

WWW.SNAP-FAN.COM

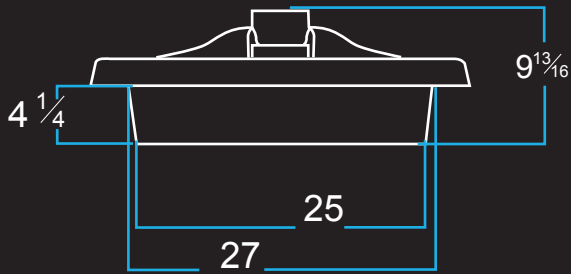
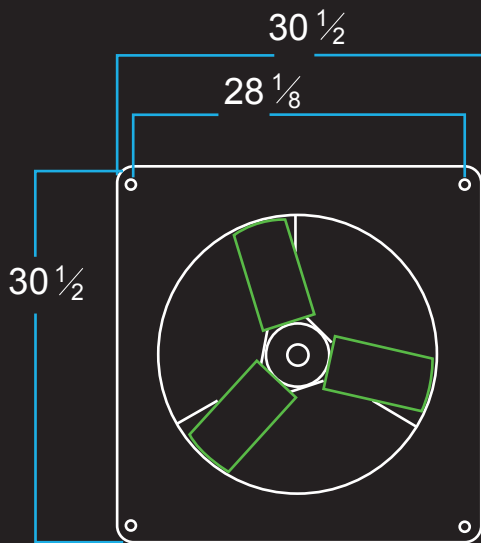


24" DC BRUSHLESS SOLAR FAN

SOLAR DIRECT PERFORMANCE

	STATIC PRESSURE (IN H2O)	AIRFLOW (CFM)	RPM	AMPS	WATTS	CFM/WATT
SPEED 3 requires at least 33 VDC	0.00	4739	1800	8.5	289	16.4
	0.05	4437	1800	8.7	294	15.1
	0.10	4134	1800	9.2	313	13.2
SPEED 2 requires at least 29 VDC	0.00	4213	1600	6.1	207	20.3
	0.05	3812	1600	6.2	212	18.0
	0.10	3410	1600	6.3	215	15.9
SPEED 1 requires at least 18.5 VDC	0.00	2633	1000	1.6	54	48.4
	0.05	2069	1000	1.7	56	36.8
	0.10	1599	1000	1.6	55	28.9

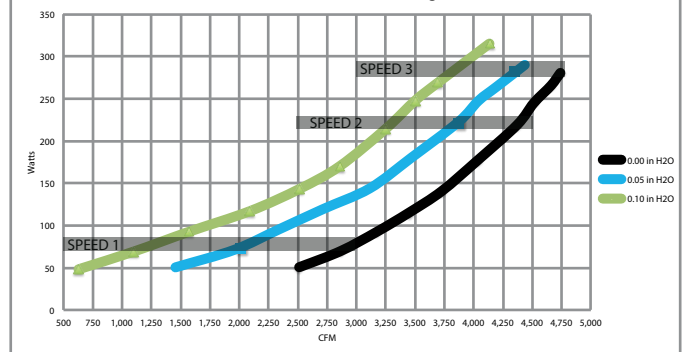
Table reflects operation at 34 volts



ELECTRICAL EQUIPMENT. CHECK WITH LOCAL BUILDING CODES AND YOUR LICENSED CONTRACTOR BEFORE INSTALLING.

HAND ASSEMBLED IN U.S.A.
SOLAR NATIONAL AIR PROPULSION, LLC
PATENTED DESIGN

24" DC Brushless Performance Range



24v BATTERY PERFORMANCE

	STATIC PRESSURE (IN H2O)	AIRFLOW (CFM)	RPM	AMPS	WATTS	CFM/WATT
SPEED 2	0.00	3726	1415	5.4	140	26.5
	0.05	3335	1415	5.5	142	23.5
	0.10	2892	1415	5.5	144	20.1
SPEED 1	0.00	2633	1000	2.1	55	48.2
	0.05	2069	1000	2.2	56	36.7
	0.10	1599	1000	2.1	56	28.8

DC Brushless Motor Features

- Patented design
- Uses 40% - 60% less energy than PSC motors
- Cooler operating temperatures
- Longer motor life
- Reduced warranty returns
- Locked rotor, overload, and thermal roll back protection
- Integrated control with sealed construction
- Durable ball bearing construction for long commercial life
- UL & CSA recognized
- Designed and assembled in the USA