



E-BOX-48100R

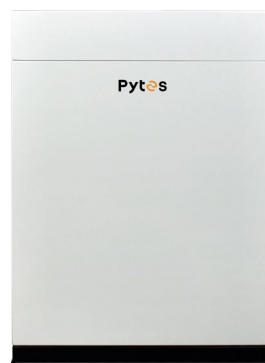
Battery Model	E-BOX-48100R
Chemistry	LFP
Nominal Voltage	51.2V
Voltage Range	47.5V-58V
Nominal Capacity	100Ah
Nominal Energy	5.12kWh
Unit Dimension (L*W*H)	17.32 * 24.41 * 4.61 inch (440 * 620 * 117 mm)
Unit Weight	112.5lbs
Peak Discharge Rate	102A (5.22kW@15s)
Maximum Continuous Discharge Rate	50A (2.56kW DC)
Standard Continuous Discharge Rate	50A (2.56kW DC)
Maximum Continuous Charge Current	50A
Standard Continuous Charging Current	50A
Round-Trip Efficiency	≥95%
Communication Protocol	RS232, RS485, CAN
Cycle Life	≥6000cycle
Calendar Life	≥10years
Operating Temperature	14°F~122°F
Connect style	Parallel
Storage Temperature	<1month: -4~131°F, 1-3months: 32~95°F, 3-12months: 68~77°F
Certificates	CEC, UL 1973, UL 9540a, UL 9540

Bracket



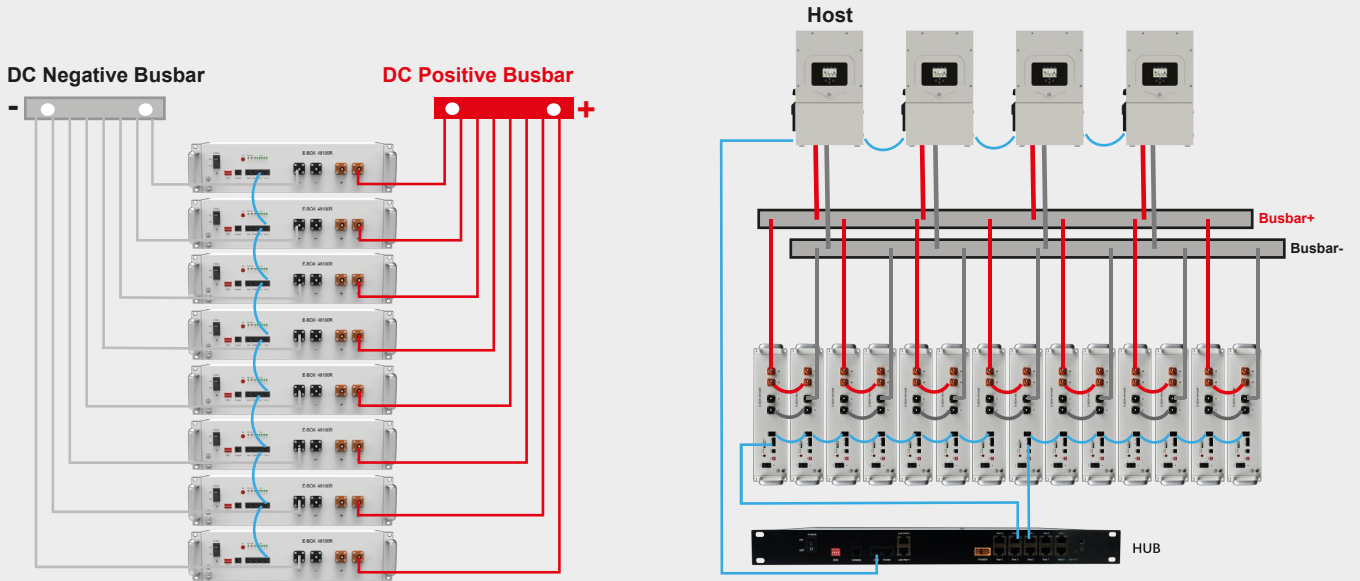
- Easy installation and reduce costs
- Use it with single battery or multiple
- Take up less space and smooth ventilation

R-BOX



- Wall/ Floor mounted
- 10kwh total capacity can hold up 2 E-BOX-48100R batteries
- Easy installation, compact, elegant home style design and great extensibility
- Power sweet homes with clean energy, day and night

Battery Connection Diagram Guide



Case Study



Compatibility List of PYTES ESS and Inverters

Closed loop



Open loop

