

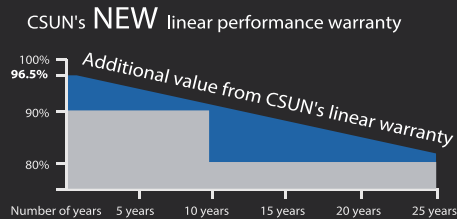
Mono



Powerguard Insurance Global Coverage

The power output shall not be less than 96.5% of the minimum power output stated in the product data sheet in the first year of the product's life cycle. The loss of power output shall not exceed 0.7% per year thereafter, ending with 80.18% in the 25th year.

■ CSUN ■ Standard warranty



CSUN 370-72M

High efficiency PERC tech for esthetic applications

Module Fire Performance: Type 1 (UL 1703)

Fire Resistance Rating: Class C (IEC 61730)

CSUN370-72M CSUN365-72M

CSUN360-72M CSUN355-72M

19.10%
Module efficiency

Industry leading conversion efficiency

370 W
Highest power output

Positive tolerance offer

10 years
Material & workmanship warranty

Passed salt mist & ammonia corrosion, blowing sand and hail testing

25 years
Linear power output warranty

Certificated to withstand wind (2400 Pa) and snow load (5400 Pa)

Excellent performance under weak light condition

Good temperature coefficient enables better output in hot climates

- China Sunergy Co., Ltd. designs, manufactures and delivers high efficiency solar cells and modules to the world from its production centers based in China, Turkey, South Korea and Vietnam.
- Founded in 2004, China Sunergy is well known for its advanced solar cell technology, reliable product quality, and excellent customer service.
- As one of leading PV enterprises, China Sunergy has delivered more than 4.0GW of solar products to residential, commercial, utility and off-grid projects all around the world.



All information and data are subject to change without notice.

www.csun-solar.com



All rights reserved by CSUN
Version 7/2013-ENG

Electrical Characteristics at Standard Test Conditions (STC)

Module Type	CSUN 370-72M	CSUN 365-72M	CSUN 360-72M	CSUN 355-72M
Maximum Power - P _{mpp} (W)	370	365	360	355
Positive Power Tolerance	0~3%	0~3%	0~3%	0~3%
Open Circuit Voltage - V _{oc} (V)	47.7	47.5	47.3	47.1
Short Circuit Current - I _{sc} (A)	9.85	9.76	9.67	9.57
Maximum Power Voltage - V _{mpp} (V)	39.0	38.8	38.6	38.4
Maximum Power Current - I _{mpp} (A)	9.49	9.41	9.33	9.24
Module Efficiency	19.10%	18.84%	18.59%	18.33%

Electrical data relates to standard test conditions (STC): irradiance 1000W/m²; AM 1.5; cell temperature 25°C measuring uncertainty of power is within ±3%. Certified in accordance with IEC61215, IEC61730-1/2 and UL 1703

Electrical Characteristics at Normal Operating Cell Temperature (NOCT)

Module Type	CSUN 370-72M	CSUN 365-72M	CSUN 360-72M	CSUN 355-72M
Maximum Power - P _{mpp} (W)	276	272	269	265
Maximum Power Voltage - V _{mpp} (V)	36.9	36.8	36.7	36.6
Maximum Power Current - I _{mpp} (A)	7.48	7.40	7.32	7.25
Open Circuit Voltage - V _{oc} (V)	44.6	44.4	44.2	44.0
Short Circuit Current - I _{sc} (A)	7.92	7.85	7.80	7.72

Electrical data relates to normal operating cell temperature (NOCT): irradiance 800 W/m²; wind speed 1 m/s; cell temperature 45°C ambient temperature 20°C measuring uncertainty of power is within ±3%

Temperature Characteristics

Voltage Temperature Coefficient	-0,307%/K
Current Temperature Coefficient	+0,039%/K
Power Temperature Coefficient	-0,423%/K

Maximum Ratings

Maximum System Voltage (V)	1000
Series Fuse Rating (A)	20
Reverse Current Overload (A)	27

Mechanical Characteristics

Dimensions	1956 × 990 × 40 mm
Weight	22.3 kg
Frame	Anodized aluminum profile
Front Glass	White toughened safety glass, 3.2 mm
Cell Encapsulation	EVA (Ethylene-Vinyl-Acetate)
Back Sheet	Composite film
Cells	6 × 12 monocrystalline solar cells (4BB or 5BB 156.75 × 156.75 mm)
Junction Box	With 6 bypass diodes, rated current ≥ 13 A, IP ≥ 67, TUV & UL
Cable	Length 900 mm, 1 × 4 mm ²
Connector	Compatible with MC4

Packaging

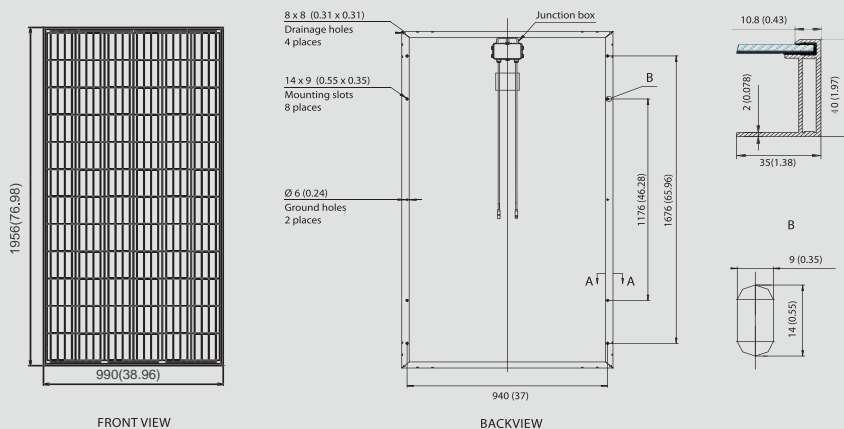
Container 20'	260 pcs.
Container 40'	624 pcs.
Container 40'HC	672 pcs.

System Design

Temp. Range	-40°C to + 85°C
Hail	Max. diameter of 25mm with impact speed of 23m/s
Max. Capacity	Snow 5400 Pa, wind 2400 Pa
Application Class	A
Safety Class	II

Dimensions

Note: mm (inch)



IV-Curves

