



## SunPower E-Series: E20-330-COM

# SunPower® Commercial DC Panel

SunPower E-Series panels combine high efficiency with the strongest durability and warranty available in the market today, resulting in more long-term energy and savings. <sup>1,2</sup>



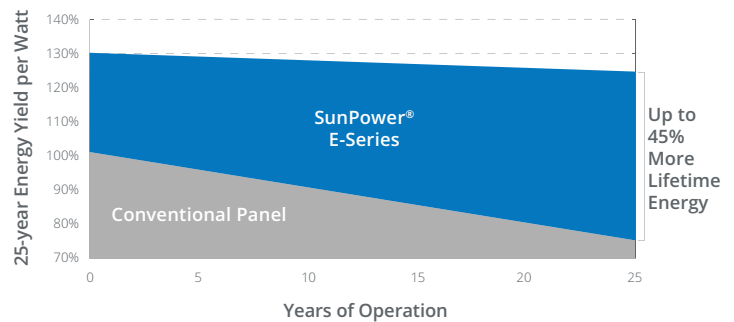
### High Efficiency

Generates more power and savings per available space, making it easier to meet your organization's goals.



### More Lifetime Energy and Savings

Designed to deliver 45% more energy in the same space over 25 years in real-world conditions like partial shade and high temperatures. <sup>2</sup>



## Fundamentally Different. And Better.



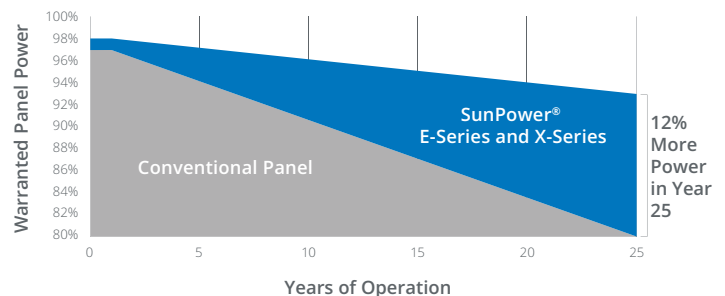
### The SunPower Maxeon® Solar Cell

- Enables high efficiency panels <sup>2</sup>
- Delivers leading reliability <sup>3</sup>
- Patented solid metal foundation prevents breakage and corrosion



### Best Reliability, Best Warranty

With more than 25 million panels deployed around the world, SunPower technology is proven to last. That's why we stand behind our panel with the industry's best 25-year Combined Power and Product Warranty, including the highest Power Warranty in solar.



## E-Series: E20-330-COM SunPower® Commercial DC Panel


Electrical Data			
	SPR-E20-330-COM	SPR-E20-327-COM	SPR-E19-320-COM
Nominal Power (Pnom) <sup>7</sup>	330 W	327 W	320 W
Power Tolerance	+5/-3%	+5/-3%	+5/-3%
Panel Efficiency	20.2%	20.1%	19.6%
Rated Voltage (Vmpp)	54.7 V	54.7 V	54.7 V
Rated Current (Impp)	6.04 A	5.98 A	5.86 A
Open-Circuit Voltage (Voc)	64.9 V	64.9 V	64.8 V
Short-Circuit Current (Isc)	6.52 A	6.46 A	6.24 A
Max. System Voltage	1000 V UL & 1000 V IEC		
Maximum Series Fuse	15 A		
Power Temp Coef.	-0.33% / °C		
Voltage Temp Coef.	-176.6 mV / °C		
Current Temp Coef.	2.6 mA / °C		

Tests And Certifications (Preliminary)	
Standard Tests <sup>8</sup>	UL1703 (Type 2 Fire Rating), IEC 61215, IEC 61730
Quality Management Certs	ISO 9001:2015, ISO 14001:2015
EHS Compliance	RoHS, OHSAS 18001:2007, lead free, Recycle Scheme, REACH SVHC-163
Ammonia Test	IEC 62716
Desert Test	MIL-STD-810G
Salt Spray Test	IEC 61701 (maximum severity)
PID Test	1000 V: IEC 62804, PVEL 600 hr duration
Available Listings	UL, TUV, MCS, CEC

- 1 SunPower 327 W compared to a Conventional Panel on same-sized arrays (260 W, 16% efficient, approx. 1.6 m<sup>2</sup>), 4% more energy per watt (based on PVsyst pan files), 0.75%/yr slower degradation (Campeau, Z. et al. "SunPower Module Degradation Rate," SunPower white paper, 2013).
- 2 Based on search of datasheet values from websites of top 10 manufacturers per IHS, as of January 2017.
- 3 Jordan, et. al. Robust PV Degradation Methodology and Application. PVSC 2018.
- 4 SunPower is rated #1 on Silicon Valley Toxics Coalition's Solar Scorecard.
- 5 Cradle to Cradle Certified is a multi-attribute certification program that assesses products and materials for safety to human and environmental health, design for future use cycles, and sustainable manufacturing.
- 6 X-Series and E-Series panels additionally contribute to LEED Materials and Resources credit categories.
- 7 Standard Test Conditions (1000 W/m<sup>2</sup> irradiance, AM 1.5, 25° C). NREL calibration Standard: SOMS current, LACCS FF and Voltage.
- 8 Type 2 fire rating per UL1703:2013, Class C fire rating per UL1703:2002.
- 9 Please read the safety and installation guide for more information regarding load ratings and mounting configurations.

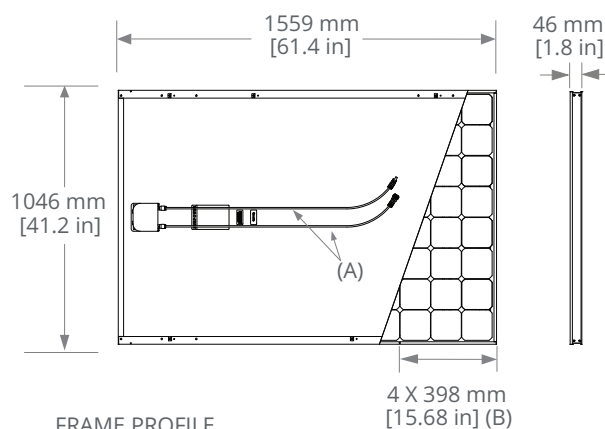
See [www.sunpower.com/company](http://www.sunpower.com/company) for more reference information.  
For more details, see extended datasheet: [www.sunpower.com/solar-resources](http://www.sunpower.com/solar-resources).  
Specifications included in this datasheet are subject to change without notice.

©2020 SunPower Corporation. All rights reserved. SUNPOWER, the SUNPOWER logo and MAXEON are registered trademarks in the EU, the US and other countries as well. Cradle to Cradle Certified™ is a certification mark licensed by the Cradle to Cradle Products Innovation Institute.

 1-800-SUNPOWER

[sunpower.com](http://sunpower.com)

Operating Condition And Mechanical Data	
Temperature	-40° F to +185° F (-40° C to +85° C)
Impact Resistance	1 inch (25 mm) diameter hail at 52 mph (23 m/s)
Appearance	Class A
Solar Cells	96 Monocrystalline Maxeon Gen II
Tempered Glass	High-transmission tempered anti-reflective
Junction Box	IP-65, TE (PV4S)
Weight	41 lbs (18.6 kg)
Max. Test Load <sup>9</sup>	Wind: 114 psf, 5500 Pa, 560 kg/m <sup>2</sup> back Snow: 133 psf, 6400 Pa, 652 kg/m <sup>2</sup> front
Design Load	Wind: 50 psf, 2400 Pa, 244 kg/m <sup>2</sup> back Snow: 112 psf, 5400 Pa, 550 kg/m <sup>2</sup> front
Frame	Class 2 silver anodized; stacking pins



FRAME PROFILE



- (A) Cable Length: 1000 mm +/- 10 mm
- (B) Stacking Pins
- (C) Long Side: 32 mm [1.3 in]  
Short Side: 22 mm [0.9 in]

**SUNPOWER®**



527847 Rev C / LTR\_US  
Publication Date: April 2020